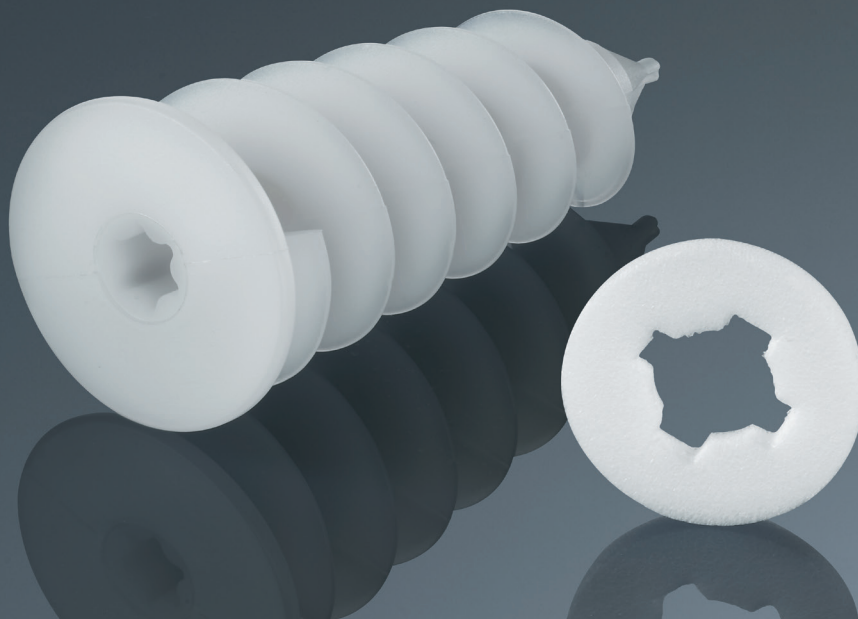


## EJOT® Spiral anchor

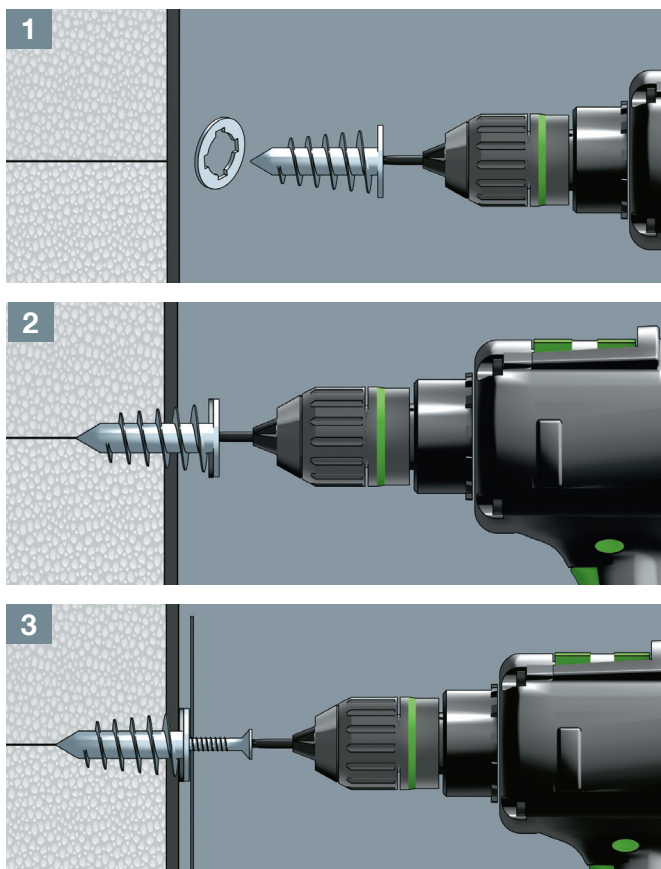
Spiral anchor to fix lightweight add-on parts to ETICS



Fastening solutions for mounted products



### Installation



### EJOT Spiral anchor

The fact that facades can be insulated in a professional and economical way with External Thermal Insulation Composite Systems (ETICS) is generally known. As we know, the insulation board needs to be securely fixed to the substrate with special anchors for the application.

But what about retrofitting lightweight attachments (house numbers, lamps etc.) to an insulated facade.

An ingenious and simple solution is the **EJOT Spiral anchor**

## EJOT® Spiral anchor

Spiral anchor to fix lightweight add-on parts to ETICS

Fastening solutions for mounted products

### Advantages

- ❑ The thread-angle ensures a reliable hold in the insulation material
- ❑ Recommended load: max. 5 kg per fixing point
- ❑ No cold bridging
- ❑ No pre-drilling necessary
- ❑ Easy and reliable installation
- ❑ Retro-fit installation through the render layer possible: simply screw the EJOT Spiral anchor through the final render into the insulation (drive TORX T40, usually without pre-drilling), then fasten the 4.5 mm screw and fix the mounted part.
- ❑ Commercially available assembly tool

### Installation note

Push sealing washer onto the EJOT Spiral anchor. Then fasten with a common drive bit (TORX T40) through the reinforcement layer flush with the surface into the insulation (usually without pre-drilling). The attachment to be fixed can then be fastened with a regular chip board screw (Ø 4.0 - 5.0 mm) in the anchor (required screw length: attachment thickness + 35 mm).

To prevent moisture penetrating the insulation, we recommend to seal the anchor rim with a suitable sealing compound (e.g. acrylic- or silicon-based).

### Additional information

- ❑ Suitable for foam-type insulation (for example polystyrene or polyurethane) and cork. Suitability for other insulating materials has to be checked on an individual basis.
- ❑ Recommended loading for PS 15:50 N. Depending on the insulation material consistency higher loads may be applied. Pull-out tests need to be carried-out for this.
- ❑ For higher loads to be applied it is necessary to ensure a reliable embedment in the wall material. Please contact our application engineering for further information.
- ❑ Just like all other EJOT ETICS anchors you can order the EJOT Spiral anchor from your system supplier. Just ask your technical advisor for more information. He will be glad to help you.

### Product range

Description	Article no.	Qty. / Pack
EJOT Spiral anchor	8788 000 042	100